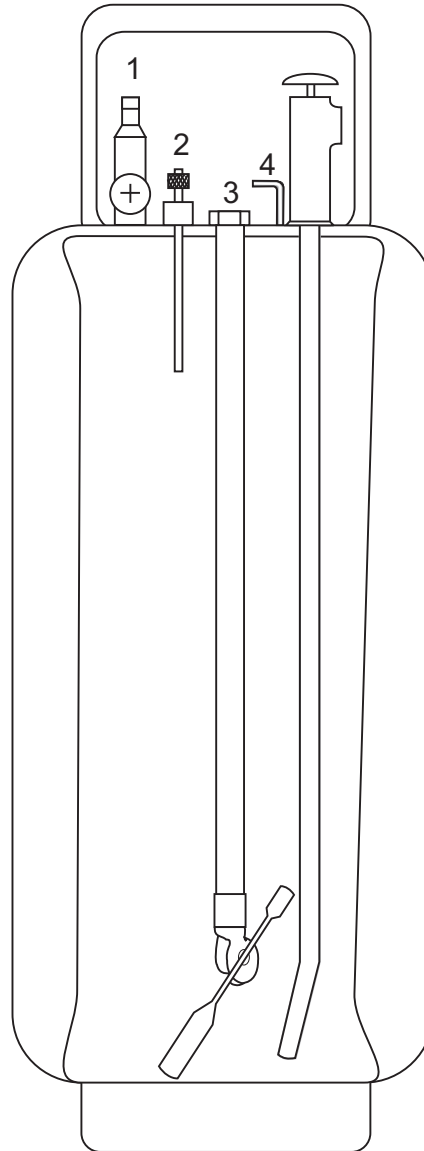


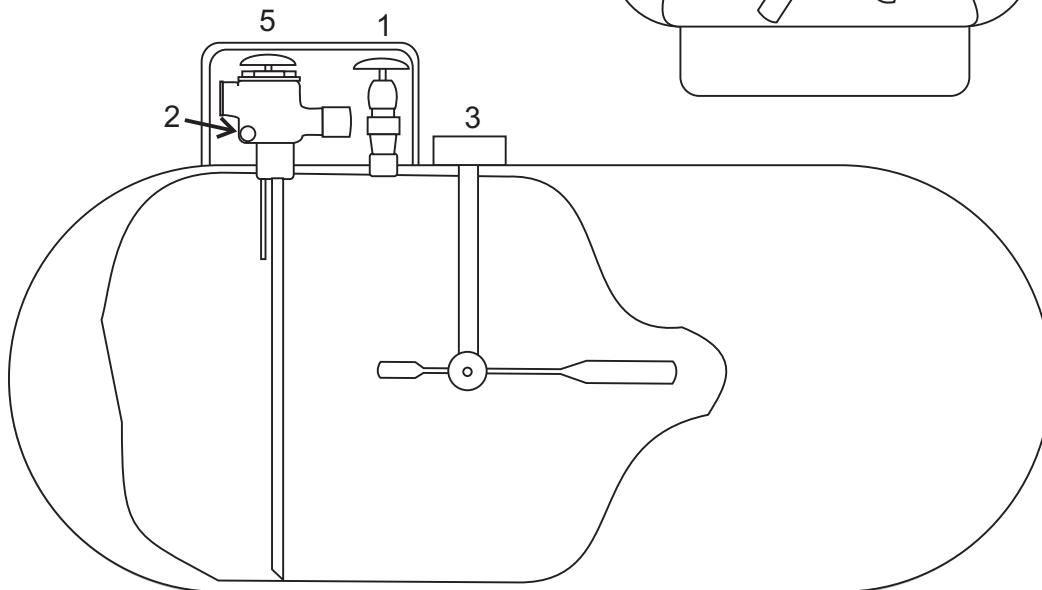


Propane Cylinders

1. Vapor Service/Pilot Valve
2. Fixed Liquid Level Gauge
3. Magnetic Float Gauge
4. Pressure Relief Valve
5. Liquid Service/Main Valve



S
t
a
n
d
u
p



Laydown